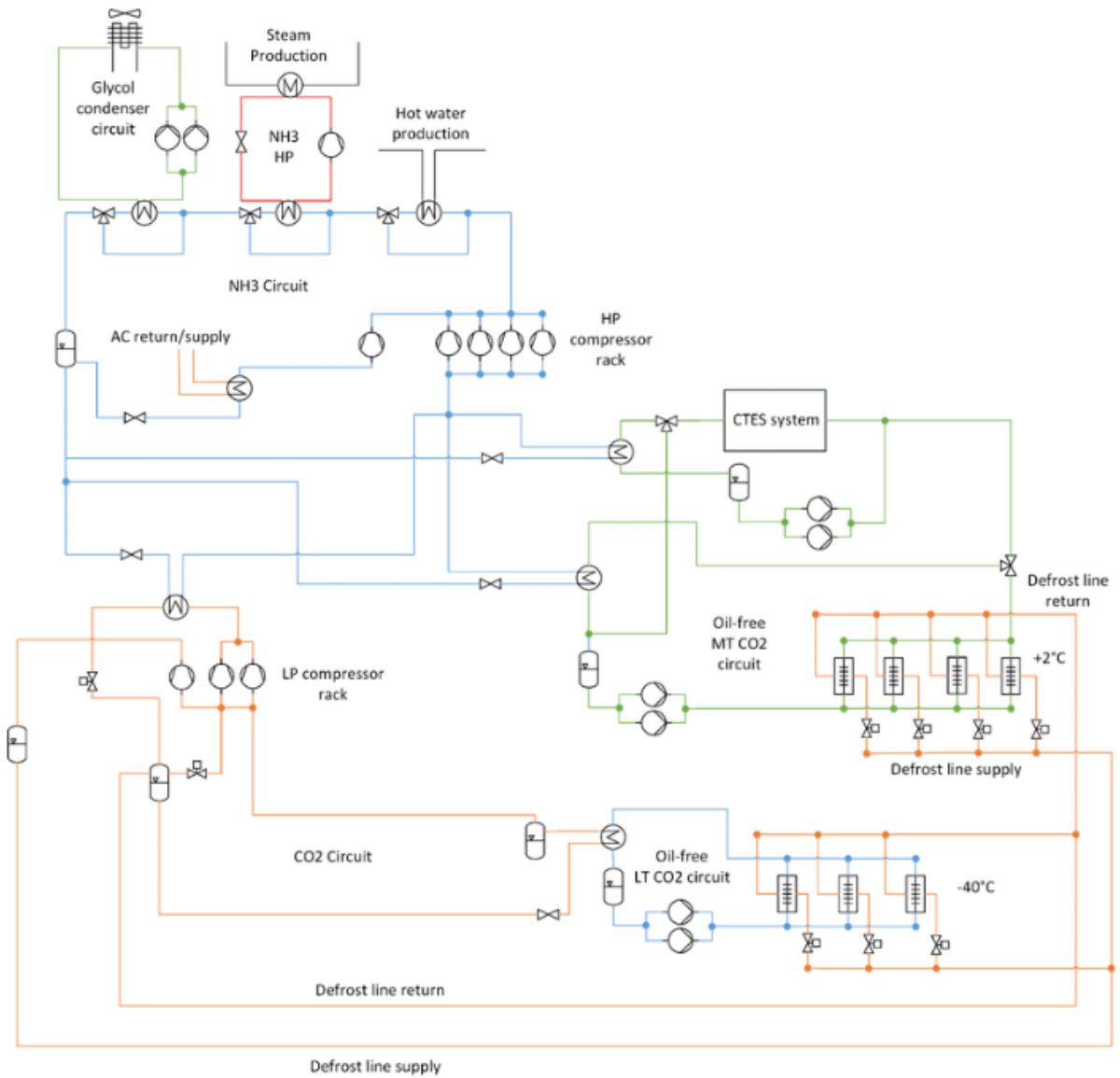


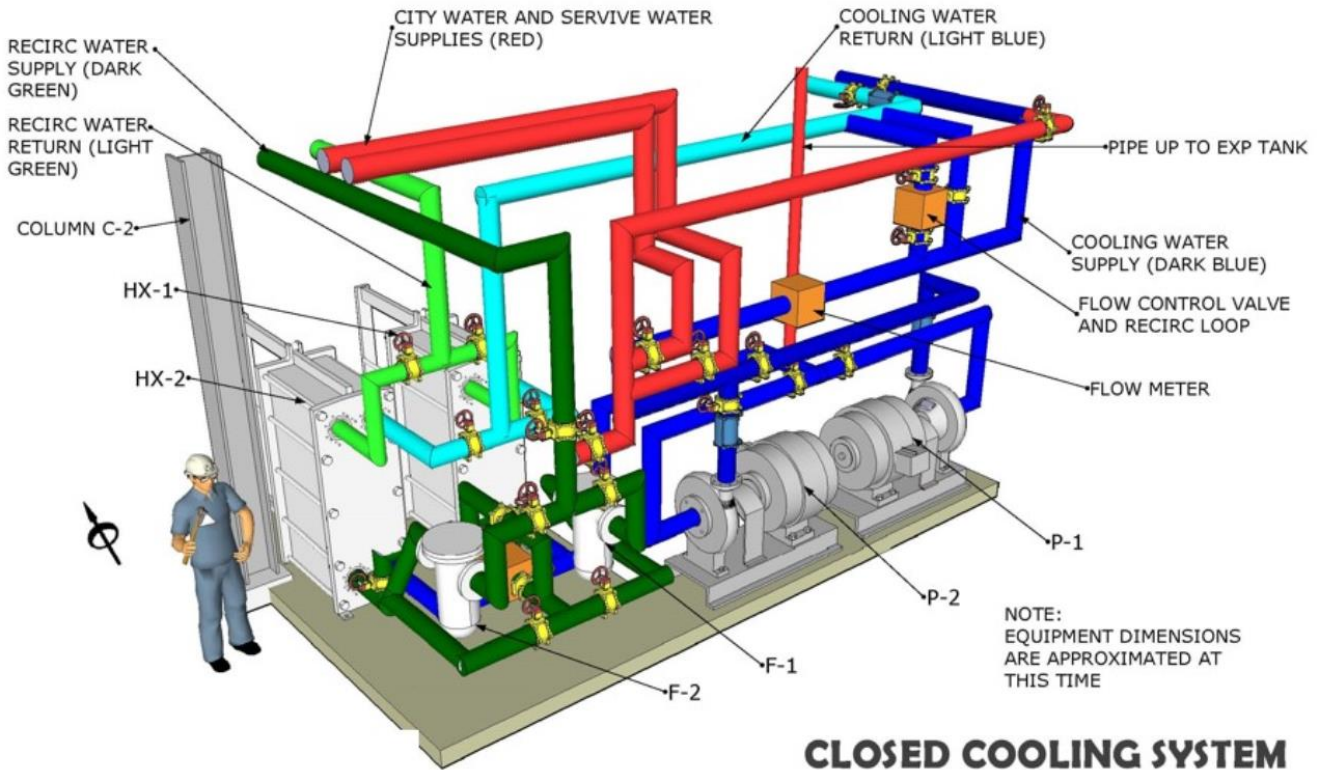
# 03. PLANT PROCESS LAYOUT



QR-ENG

Engineered data access

# 03. PLANT PROCESS LAYOUT



**CLOSED COOLING SYSTEM  
PIPING ARRANGMENT - SHEET 1**



**QR-ENG**

Engineered data access